

SHREDDER SERIES PLS



Shredded aluminium



Wood chips



PVC pipe shredded



Minced cable

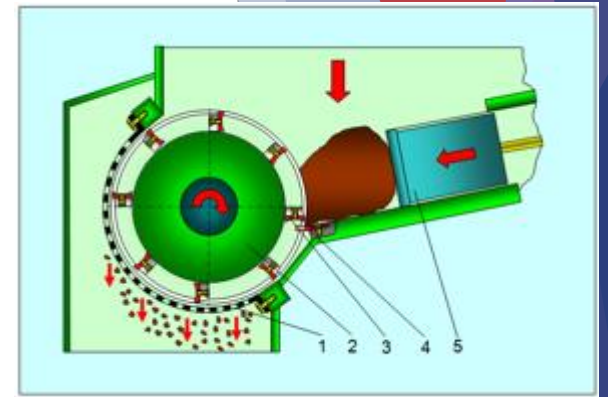
YOUR MATERIALS

OUR SOLUTION

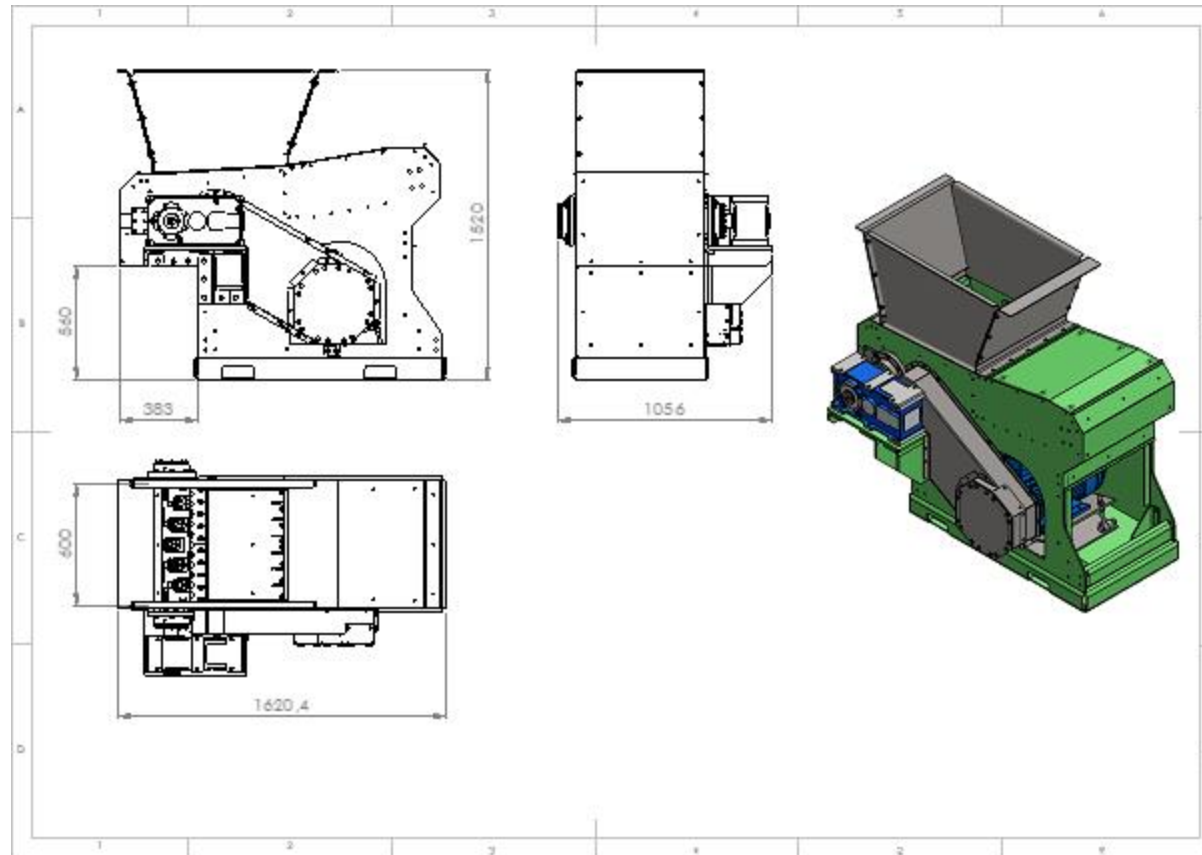
SHREDDER SERIES PLS

SERIES PLS		600	800	1000	1200	1600	2000
Hopper Opening	m m	600x700	800x1200	1000x1300	1200x1300	1600x1800	2000X2000
Cutting area	m m	600x350	800x500	1000x600	1200x800	1600x1300	2000X1300
Rotor length	m m	600	800	1000	1200	1600	2000
Rotor diameter	m m	220	260	450	450	550	550
Blades number	pc s	18	30		46	62	78
Blades size	m m	40x40x15	40x40x15	40x40x15	40x40x20	40x40x20	40X40X20
Rotor power	K W	11/15	22/30	45/55	55/75/90	90/110/160	150/180
Hydraulic unit	K W	0.55	2.2	2.2	3	3	3
Weight	Kg	1500	3100	5800	7500	17000	21000

PLS 600



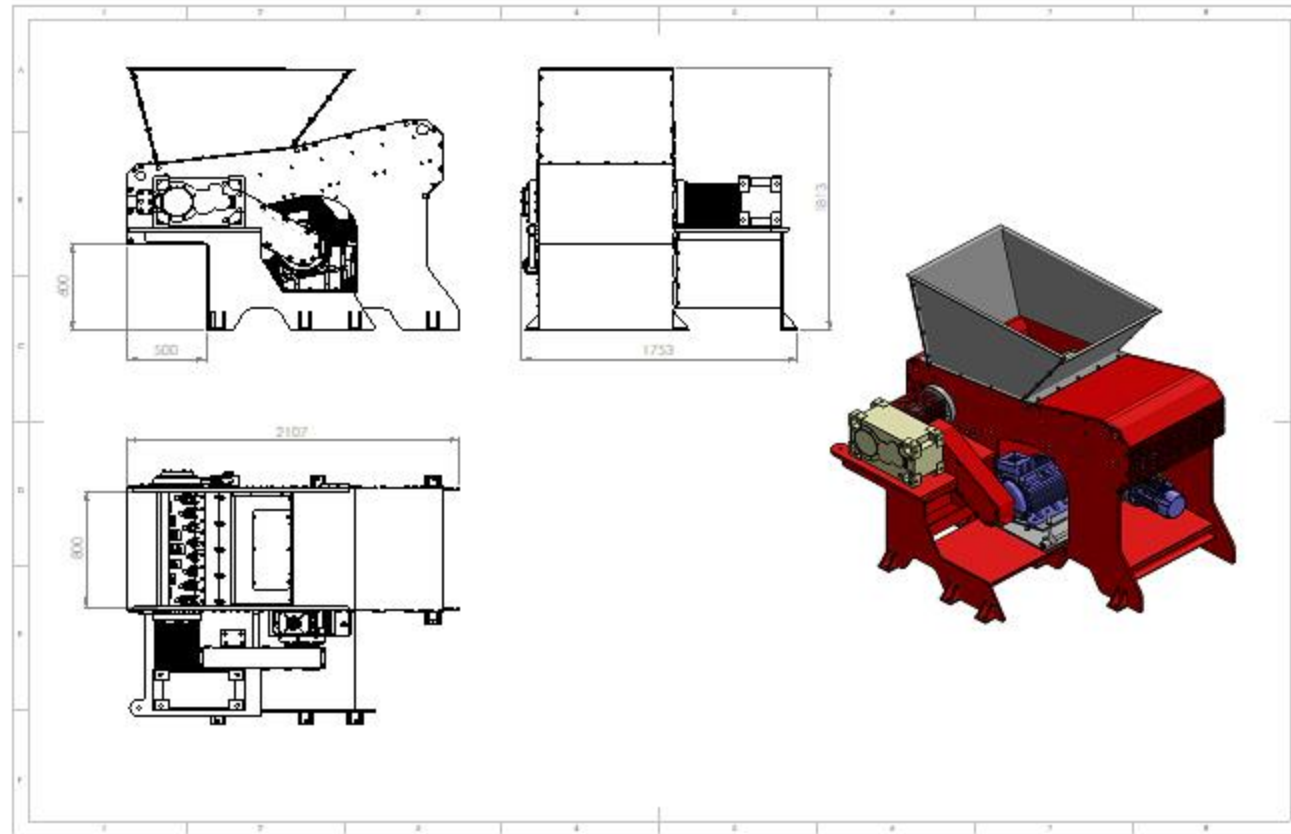
PLS 600



PLS 800



PLS 800

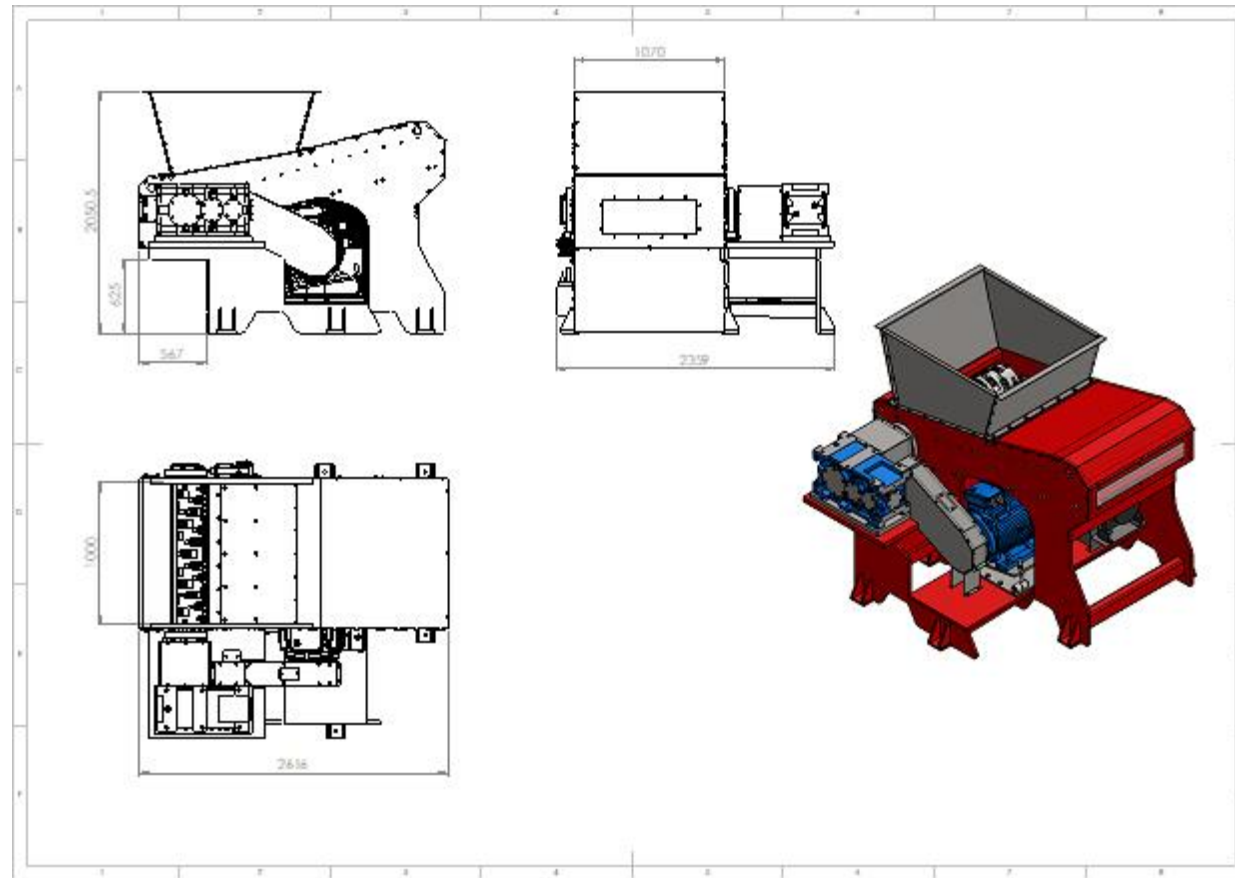


LAYOUT PLS 800

PLS 1000



PLS 1000

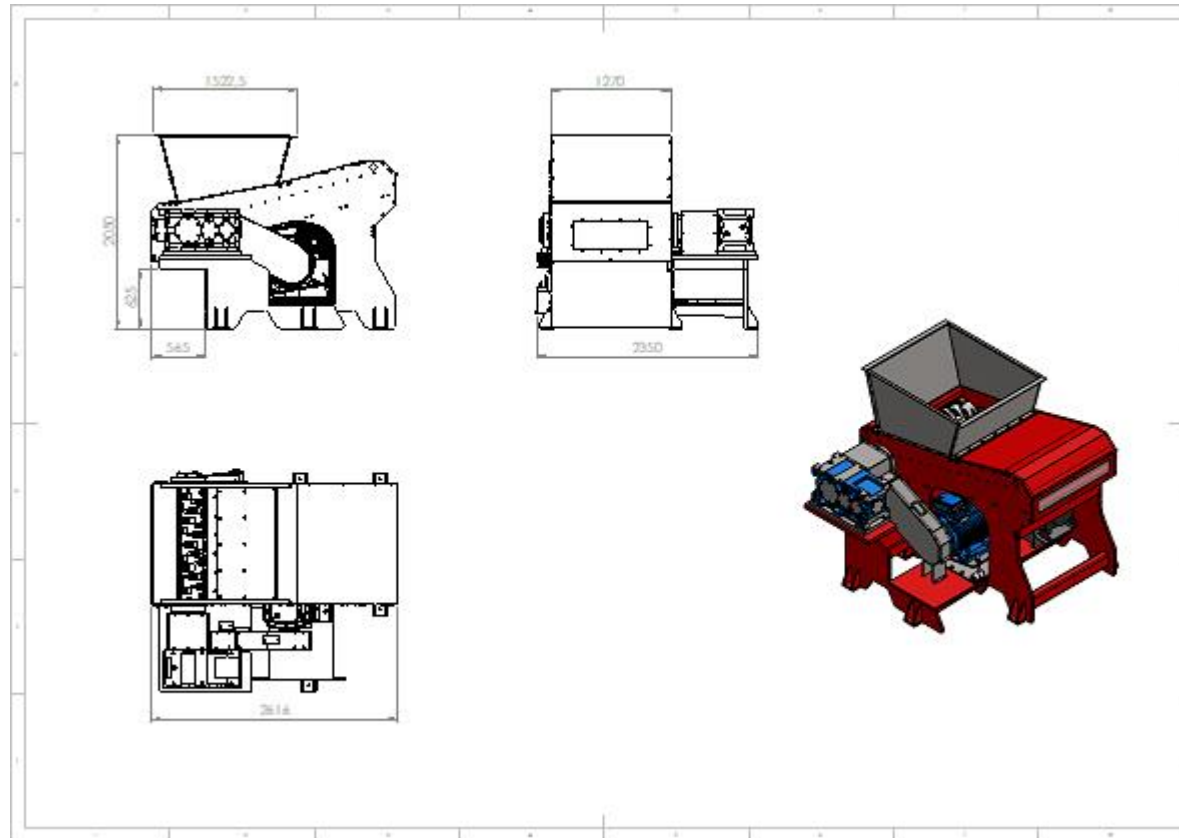


LAYOUT PLS 1000

PLS 1200



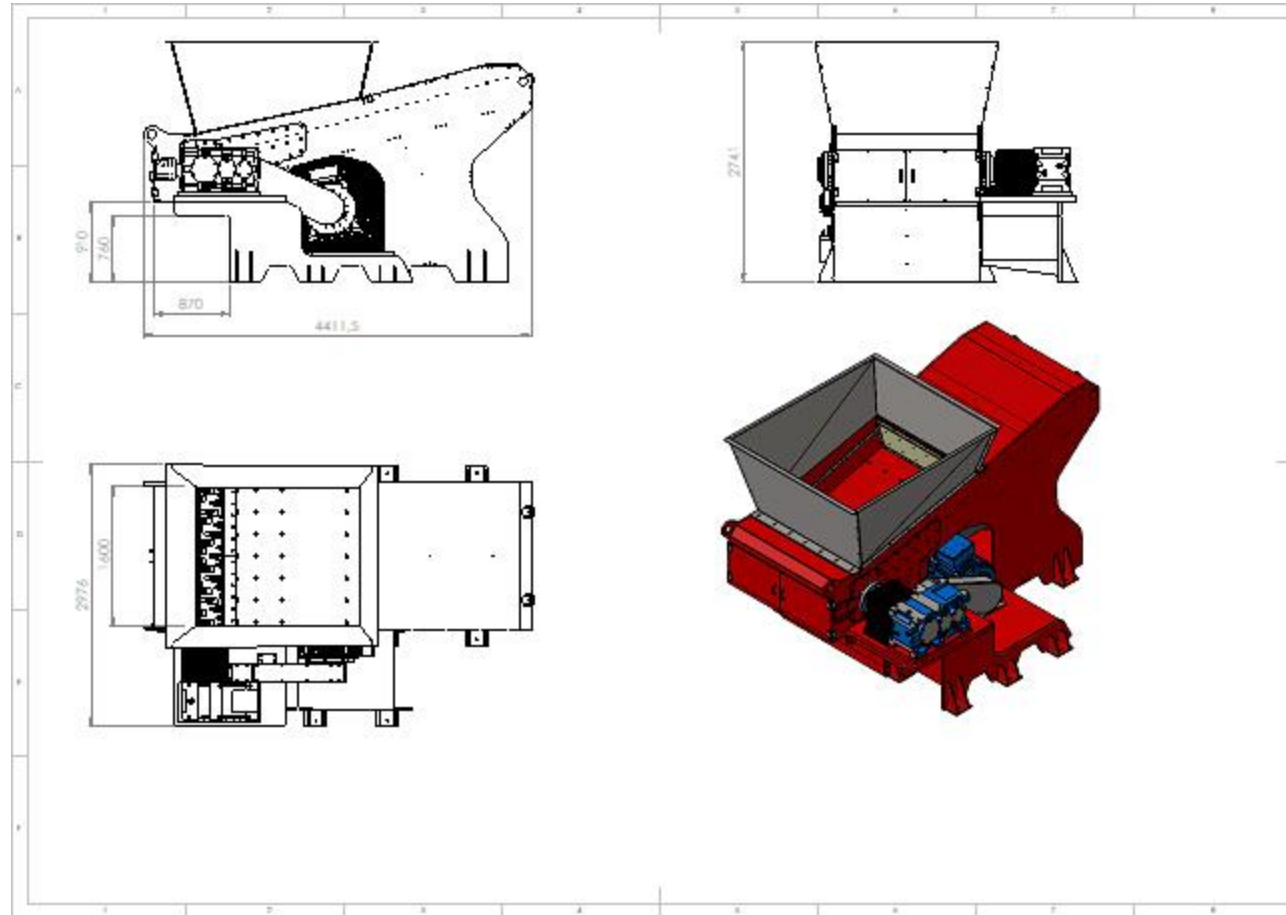
PLS 1200



PLS 1600



PLS 1600



PLS 2000

